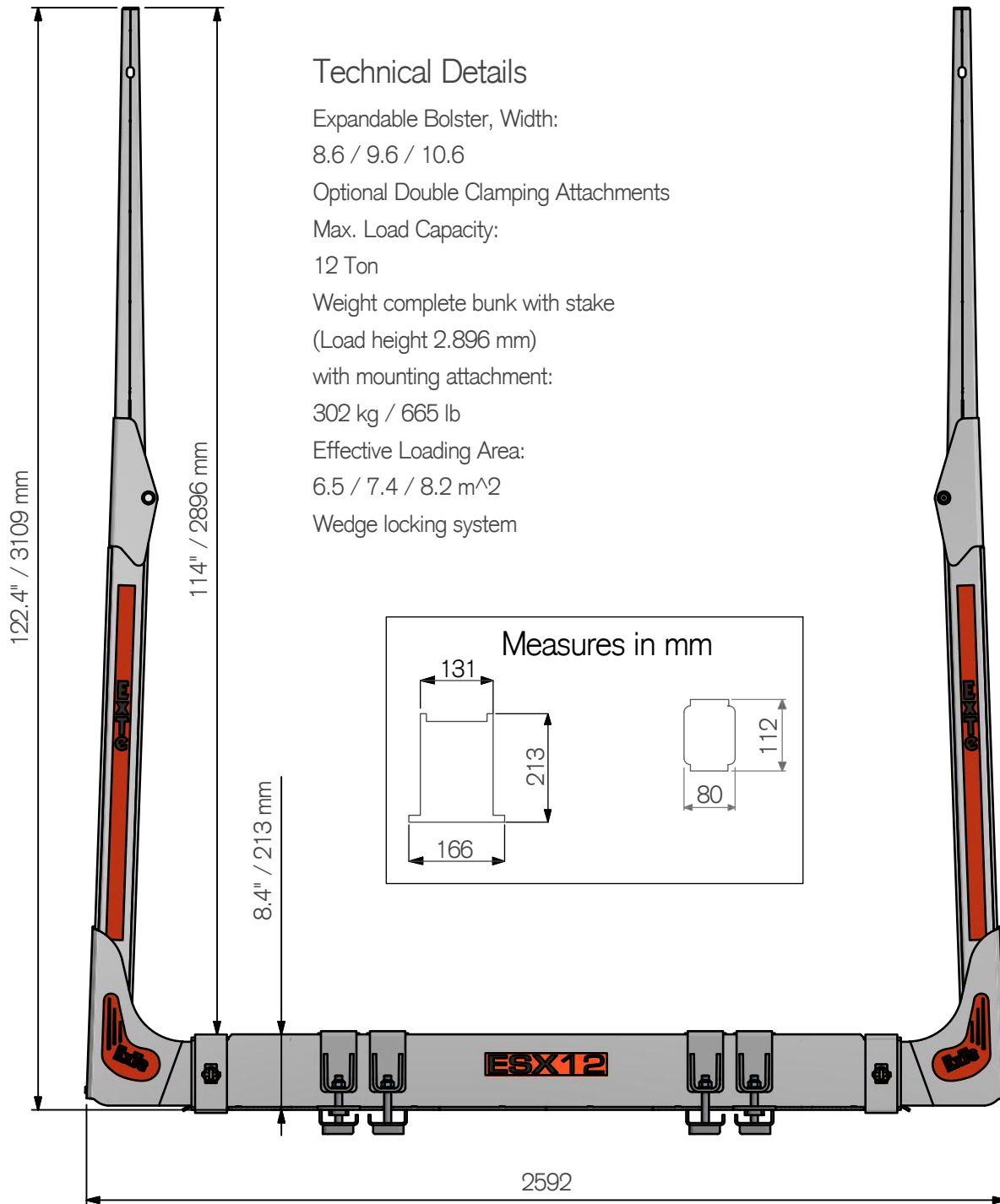


ES - Series

ESX12



Technical Details

Expandable Bolster, Width:

8.6 / 9.6 / 10.6

Optional Double Clamping Attachments

Max. Load Capacity:

12 Ton

Weight complete bunk with stake

(Load height 2.896 mm)

with mounting attachment:

302 kg / 665 lb

Effective Loading Area:

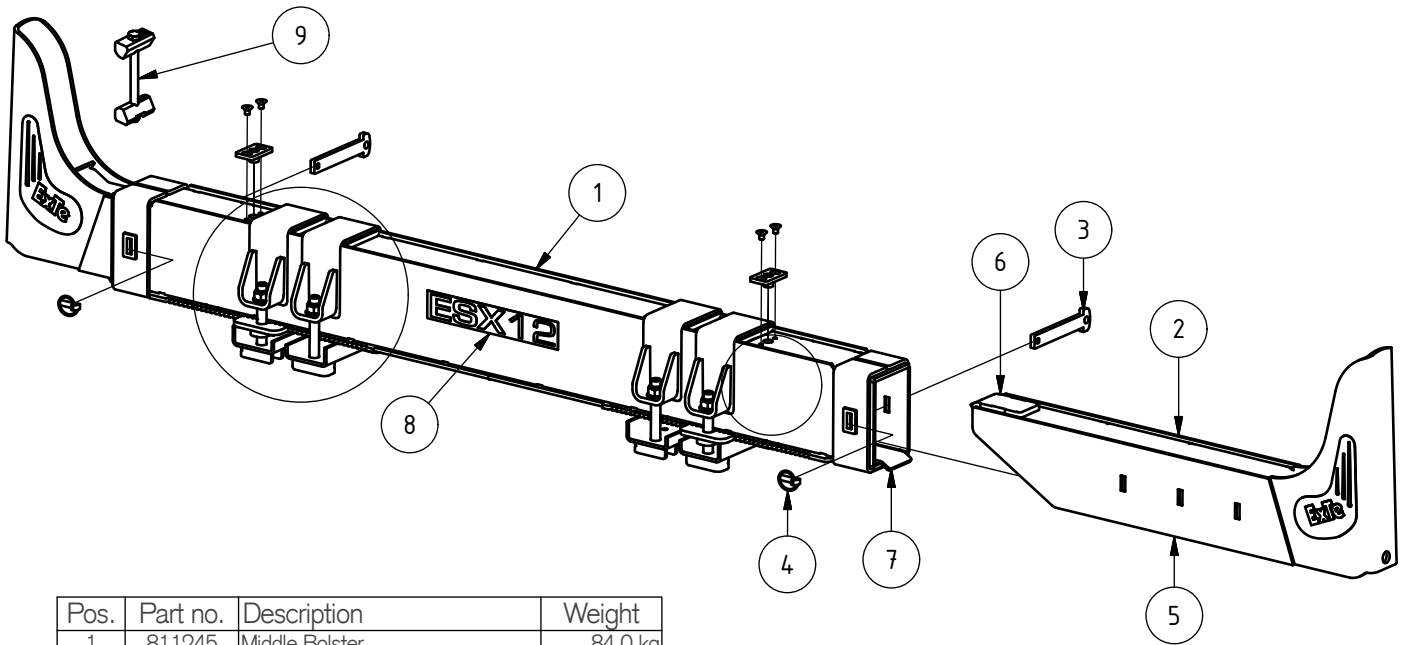
6.5 / 7.4 / 8.2 m²

Wedge locking system

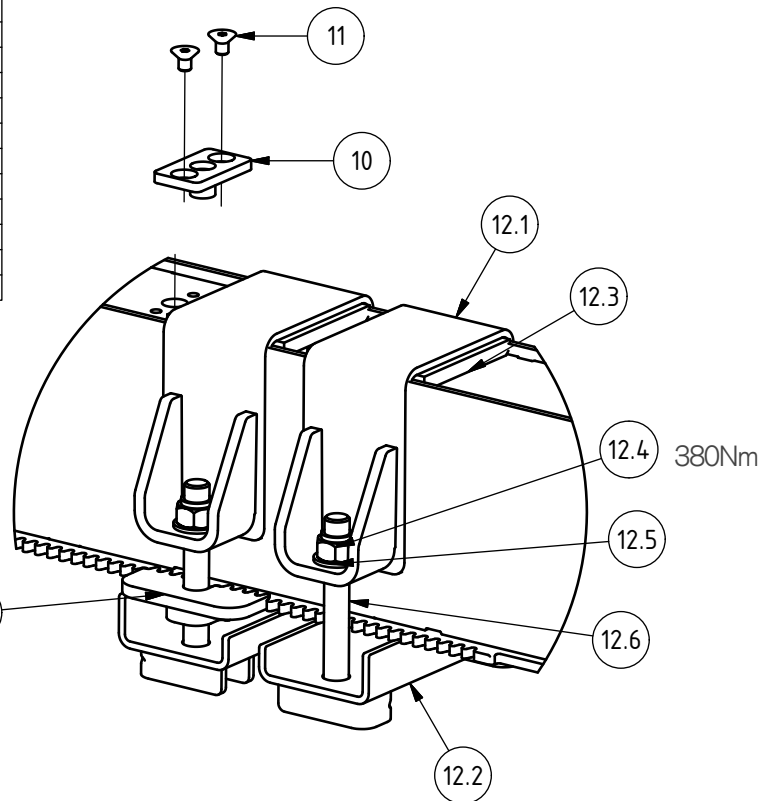
ExTe

Securing cargo. We invented the concept.

All stakes from ES-series fits, folding and non-folding. For part numbers see ES12 datasheet.



Pos.	Part no.	Description	Weight
1	811245	Middle Bolster	84,0 kg
2	811670	Expandable Bolster	45,0 kg
3	811244	Pin	
4	801322	Lynch Pin	
5	811241	Outer Wear Plate	
6	811242	Top Wear Plate	
7	811243	Inner Wear Plate	
8	811248	Decal kit	
9	811533	Wedge kit ES12	1,5 kg
10	400882	Lock Plate	
11	211191	Screw MF6S M10x16	
12	811258	Clamping Attachment	8,0 kg
12.1	811259	Upper Clamp	
12.2	800672	Lower Clamp	
12.3	811261	Plastic Distance	
12.4	211861	Locking Nut M20	
12.5	211902	Washer 21x36x3	
12.6	211171	Screw M20x140	
13	800684	Jaw Lock Plate	



Jaw Lock Plate Pos. 13 for sidewise locking of bunk against frame rail. Mounted on inside or outside of rail. Lift bolster and place jaw lock plate before mounting upper and lower clamp.



Securing cargo. We invented the concept.