

S - Series

Clamping Attachment S12 10.6

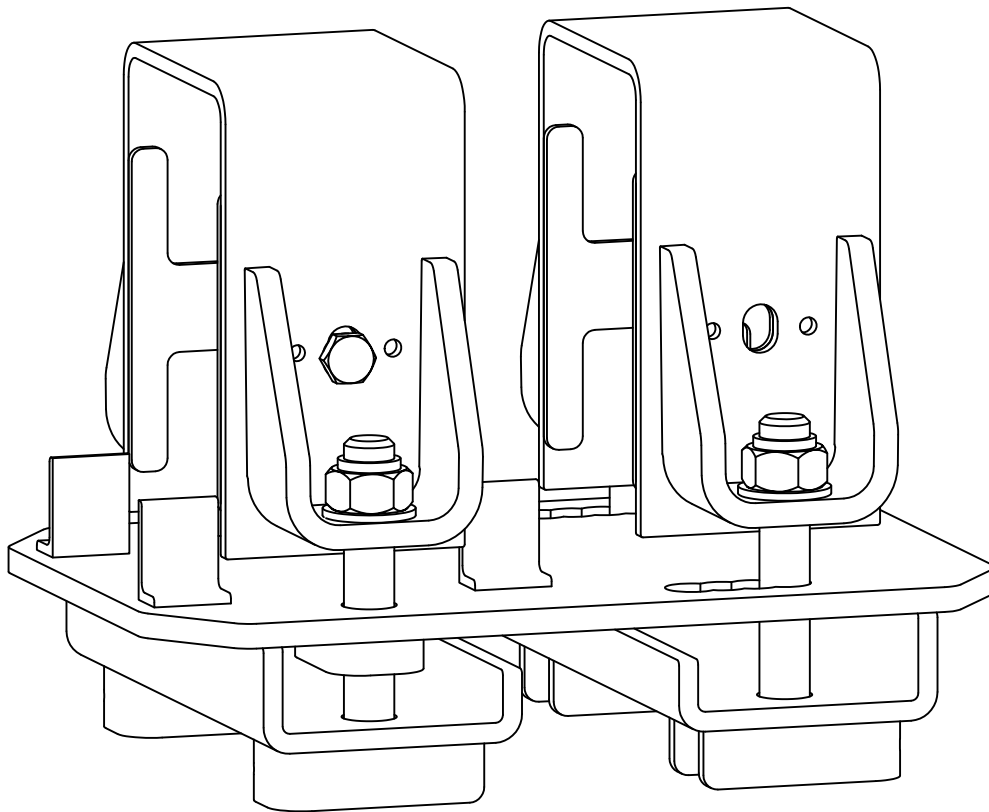
Art.nr 810909

Clamping Attachment for S12

Double Clamp

Fits S12 bolster width 10.6

Weight 24 kg / 53 lb



810909 2015-05-04

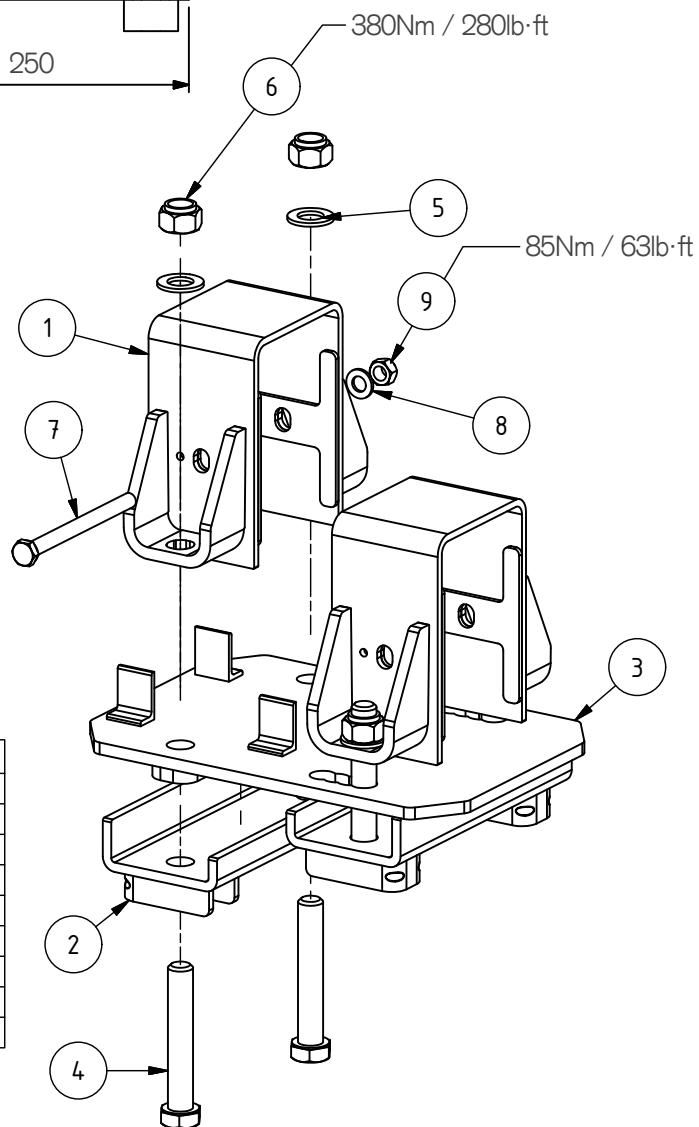
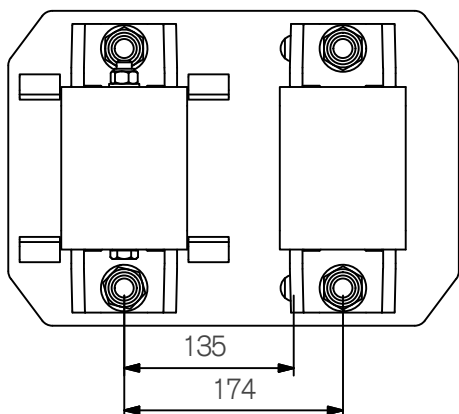
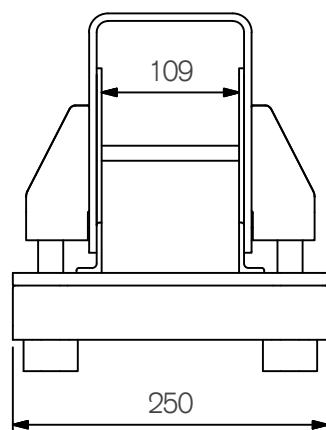
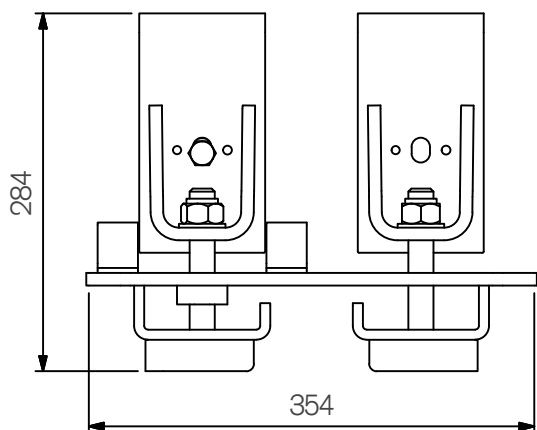
ExTe

Securing cargo. We invented the concept.

Clamping Attachment S12 10.6

Page 2

Dimensions



Spare Parts

Pos.	Part No.	Description	Weight
1	810908	Upper Clamp	4.5 kg / 9.9 lb
2	800672	Lower Clamp	3 kg / 6.6 lb
3	810910	Mounting plate	7.5 kg / 16.5 lb
4	211168	Screw M6S 20x120	
5	211902	Washer BRB 21x36x3	
6	211861	Locking Nut 20 BK8 FZB	
7	211096	Screw M6S 12x150	
8	211907	Washer 13x24x2	
9	211857	Locking Nut M12	

ExTe

Securing cargo. We invented the concept.

ExTe Fabriks AB, SE-820 41 Färila Sweden. Tel: +46 (0)651 175 00. Fax: +46 (0)651 175 03. E-mail: info@exte.se www.exte.se

810909/2013-09-04