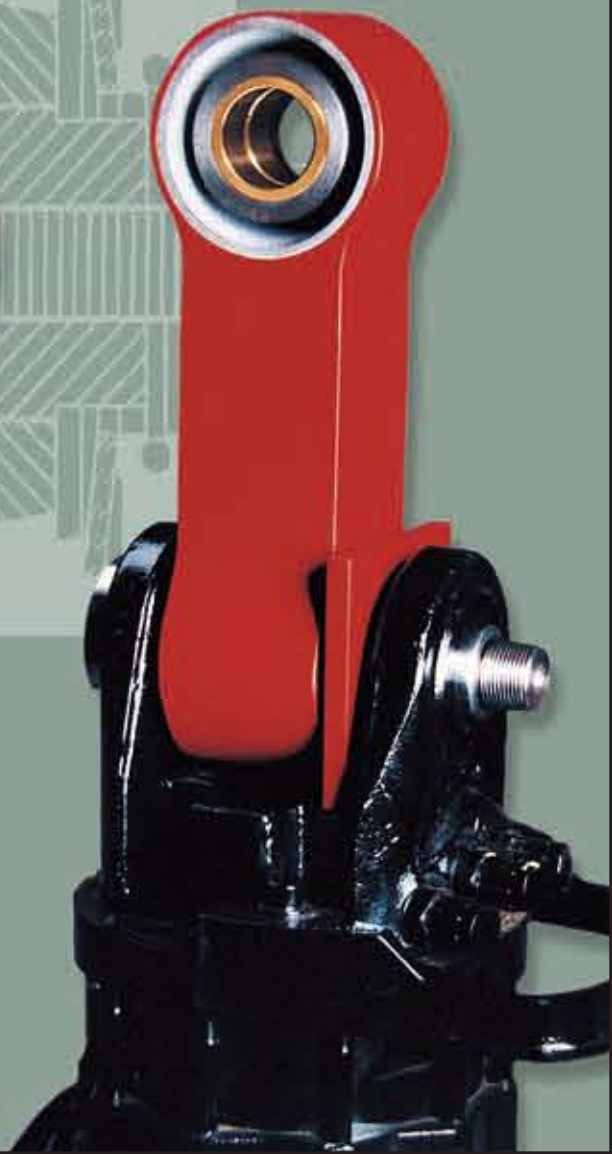
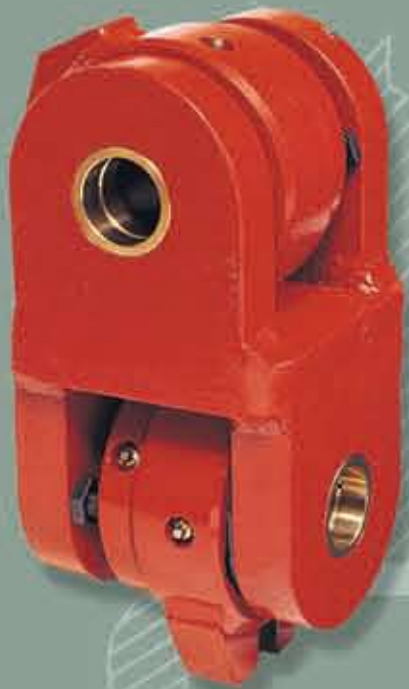


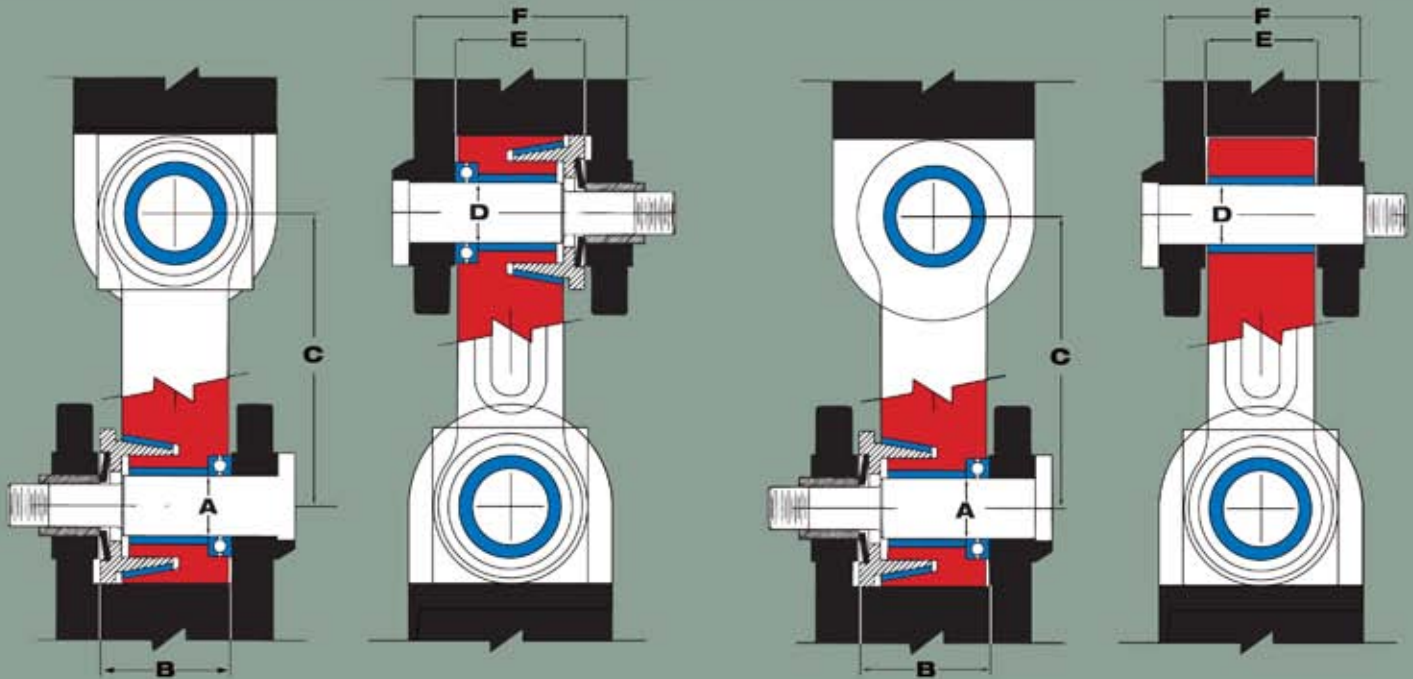
PROLENC[®]

MANUFACTURING INC.

Heavy Duty Swing Brake



750 Series Compact



Double Direction - 750

Single Direction - 755

Part Number	B3750	B3750-1	B3750-2	B3755	B3755-1	B755-2
A Rotator Pin Diameter (mm)	45	45	45	45	45	45
B Inside Rotator Width (mm)	100	100	100	100	100	100
C Pin Centre Length (mm)	220	220	220	220	220	220
D Boom Nose Pin Diameter (mm)	45	45	45	45	45	35
E Boom Nose Inside Width (mm)	100	100	100	80	100	80
F Boom Nose Outside Width (mm)	160-170-180	190-200-210	140-150	N/A	N/A	N/A
Weight lbs (kg)	50 (23)	53 (24)	50 (23)	42 (19)	42 (19)	45 (21)

Features

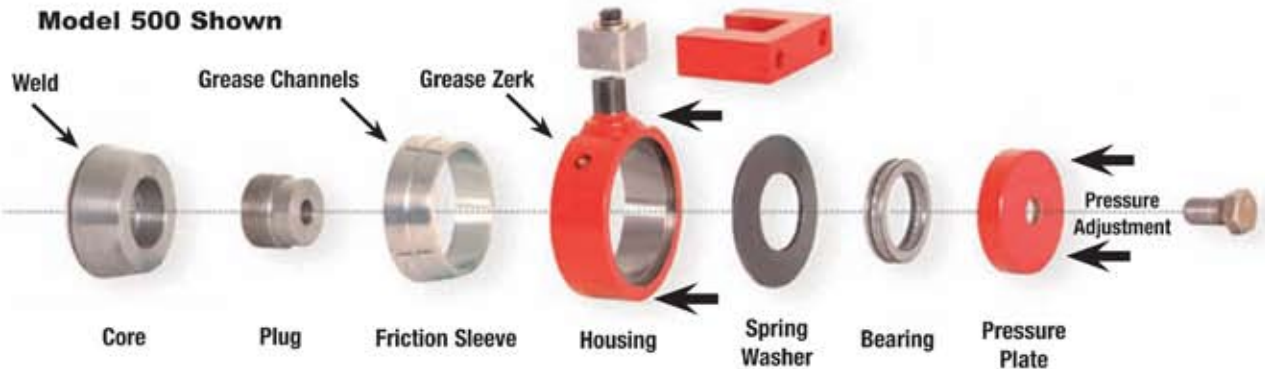
- Compact Design
- Robust cast steel link
- Heat treated alloy steel pins
- Heavy wall (1" - 6mm) bronze pin bushings
- Composite friction sleeve
- Low maintenance
- Superior braking power over disc style systems in this size class
- Long sleeve life under heavy braking loads

Applications

- Designed for Indexator and other Scandinavian production rotators with 100mm between mounting lugs and 45mm pin.
- Various pin lengths available to match OEM boom nose widths.

How it works

Model 500 Shown



- Simple patented tapered sleeve design. Does not use inefficient fibre friction discs.
- Mechanically applied pressure adjusts snubbing action.
- Load weights carried thru linkage and pins allowing independent snubbing action.
- Not affected by oil or changes in weather.
- Adapting to any free swinging attachment, replacement or O.E.M.

Alloy Sleeve

- Greased daily for long service life



Composite Sleeve

- Maintenance free
- Self lubricating
- Allows maximum braking capacity for special applications



How it works for you

- Easy installations
- Quick and simple pressure adjustments
- Low maintenance cost per hour
- Robust components help ensure machine reliability
- Choice of internal or external mounting, single or double acting to best match application
- Field proven with thousands in service
- Provides superior braking power and longer wear life over conventional disc style systems
- A controlled attachment produces faster cycle times with less wear on structure and hydraulics

PROLENC® will save you money!

1500



1000



500

450
425
400
350

300



INTERNAL MOUNT

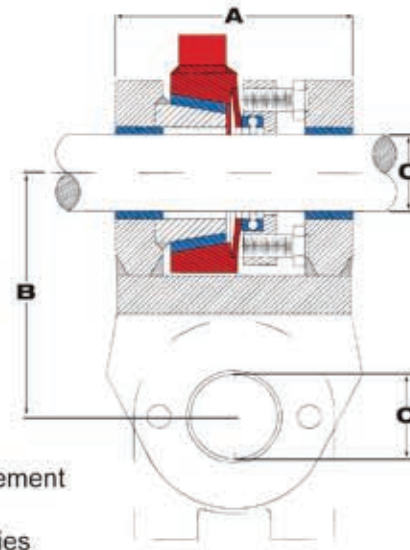
Snubber / Link Assemblies

Features

- High strength structural quality steel
- Heavy wall bronze pin bushings
- Sealed thrust bearings
- Compact design

Applications

- Any install where link and bushing dimensions will fit.
- 1500 series - Designed as a direct replacement for Esco® and Young Log Grapples.
- 1000 HD Series - Designed to fit "US" series Indexator Rotators



Snubbers

Features

- Strong alloy steel components
- Easy sleeve replacements - does not require attachment removal.
- Allows 2 brakes per axis for heavy load control.
- Wear block on 500 series replaceable with hand tools.

Applications

- 300 and 500 models are not affected by pin size, other models include pins.
- 500 series - anchor brackets to match wheel skidder grapples with O.E.M disc style systems, loading grapples and harvesting/processing heads.
- Indexator Replacements
 - 450 "S" Series - 45mm pin
 - 425 "US" Series - 2 1/16" pin - Prentice
 - 400 "R" Series - 2" pin - Barko
 - 350 - 35mm pin
 - 300 Series - Universal mounting for many installations.

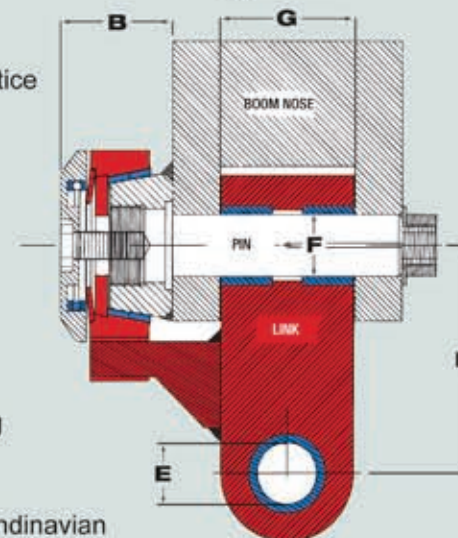
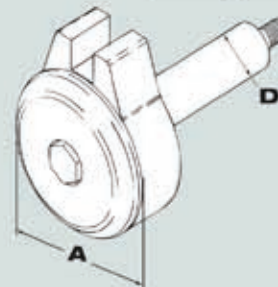
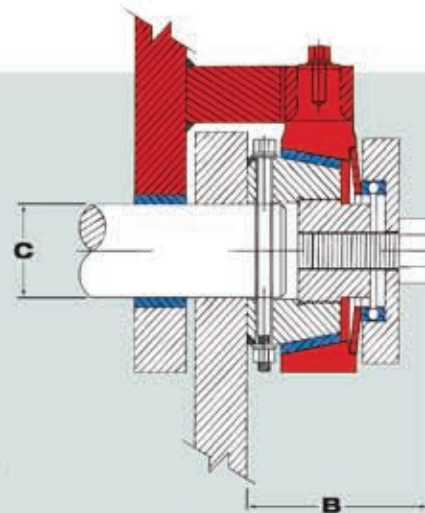
Links

Features

- High strength structural quality steel
- Heavy wall (5mm) bronze pin bushing

Applications

- Designed for Indexator and other scandinavian production rotators

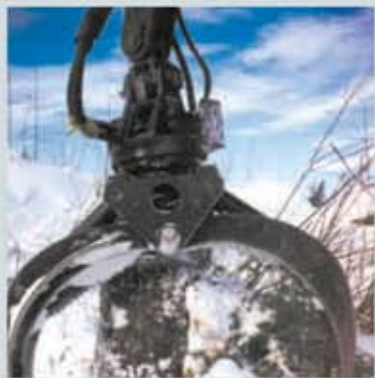


Specifications

Model			1000 Single	1000 Double	1500 Double
A	Width	Top in (mm)	4 1/8" (125)	5 3/8" (135)	7 1/2" (190)
		Bottom in (mm)	5 3/8" (135)	5 3/8" (135)	7 1/2" (190)
B	Length	in (mm)	7 1/2" (190)	7 1/2" (190)	8" (203)
C	Pin Diameter Top or Bottom - Any Combination	in (mm)	1 3/8", 2", 2 1/8", 45mm	1 3/8", 2", 2 1/8", 45mm	2", 2 1/8"
		Weight	lbs (kg)	60 (27)	72 (33)
Max. Recommended Attachment Weight		lbs (kg)	3000 (1400)	3000 (1400)	4500 (2000)

Model		300	350	400	425	450	500	
A	Housing Diameter	in (mm)	5 1/2" (140)	5 1/2" (140)	5 1/2" (140)	5 1/2" (140)	6 1/2" (165)	
		Thickness without crosshole in (mm)	3 1/4" (82)	3 3/8" (86)	3 3/8" (79)	3 3/8" (86)	3 3/8" (86)	4 1/2" (114)
	with crosshole core in (mm)	3 3/8" (98)	N/A	N/A	N/A	N/A	5 1/2" (130)	
C	Maximum Pin Diameter thru core	in (mm)	2 3/8" (60)	N/A	N/A	N/A	3" (76)	
D	Pin Diameter	in (mm)	N/A	35mm	2"	2 1/8"	45mm	N/A
		Weight without crosshole lbs (kg)	15 (7)	19 (9)	22 (10)	27 (12)	23 (10)	23 (10)
	with crosshole core lbs (kg)	17 (8)	N/A	N/A	N/A	N/A	26 (12)	
Max Recommended Attachment Weight		lbs (kg)	3000 (1400)	3000 (1400)	3000 (1400)	3000 (1400)	4500 (2000)	4500 (2000)

Link Part Number	B3T-475	B3T-480	B3T-485	B3T-550	B3T-580	
D Pin Center length (mm)	190	190	190	240	190	
E Rotator Pin Diameter (mm)	35	35, 45	45	45	35, 45	
F Boom Nose Pin Diameter (mm)	35	35, 45	45	45	35, 45	
G Boom Nose Inside Width (mm)	80	80 - 100	100	100	80	
Rotator Inside Width (mm)	80	80 - 100	100	100	80	
Weight	lbs (kg)	25 (11)	33 (15)	42 (19)	50 (23)	25 (11)



PROLENC[®] MANUFACTURING INC.

SNUBBER
SNUBBER
SNUBBER
SNUBBER

US Patent
#5,451,087
Canadian Patent
#2,085,017
Other Patents
Pending



PROLENC[®] MANUFACTURING INC.

1-800-668-3340 North America
1-250-563-8899 Overseas
www.prolenc.com

1500
XXL

1000
XL



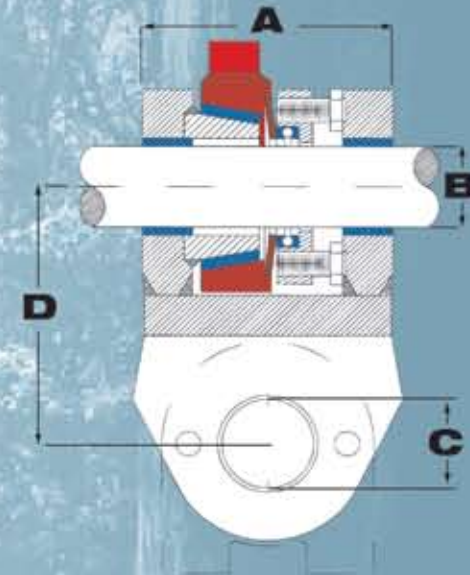
1000

A = 135mm
B = 45mm, 1 3/4", 2", 2 1/16"
C = 45mm, 1 3/4", 2", 2 1/16"
D = 190mm



1500

A = 190mm
B = 2", 2 1/2"
C = 2", 2 1/2"
D = 203mm



300
Large

500
XL

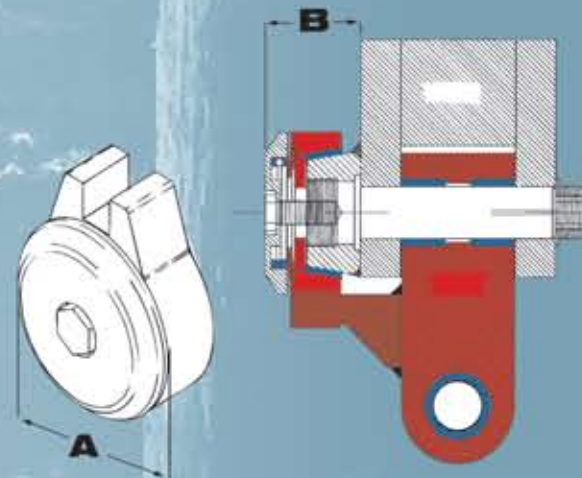


300

A=80mm
B=100mm

500

A=80mm
B=100mm



PROLENC®

Heavy Duty Swing Brake



PATENTED

CANADA 2,257,056
2,085,017

USA 5,451,087
6,264,013

SWEDEN 521,177

Other Patents Pending

PROLENC®

MANUFACTURING INC.

North America 800-668-3340

Overseas 250-563-8899

www.prolenc.com

650
medium

PROLENC®

750
Large



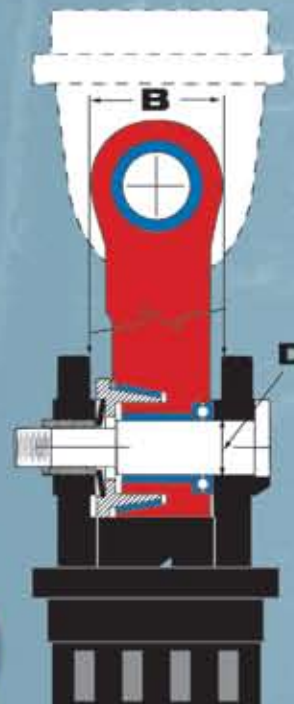
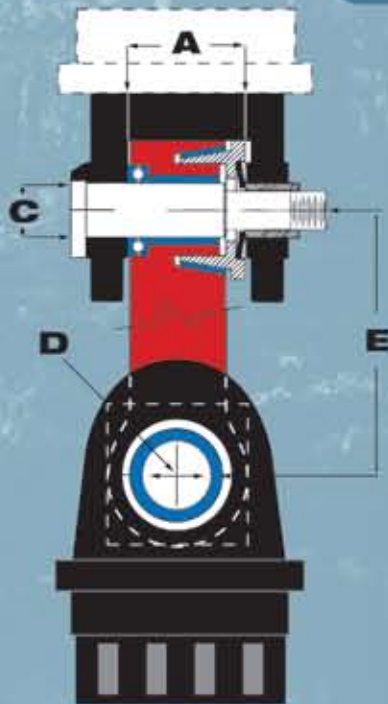
B3650

A=80mm
B=80mm
C=35mm - 45mm
D=35mm
E=220mm



B3658

A=80mm
B=80mm
C=45mm
D=35mm
E=220mm



B3750

A=100mm
B=100mm
C=45mm
D=45mm
E=220mm



B3758

A=80mm
B=100mm
C=45mm
D=45mm
E=220mm



B3755

A=80mm - 100mm
B=100mm
C=45mm - 35mm
D=45mm
E=220mm

