

ES - Series

Clamping Attachment

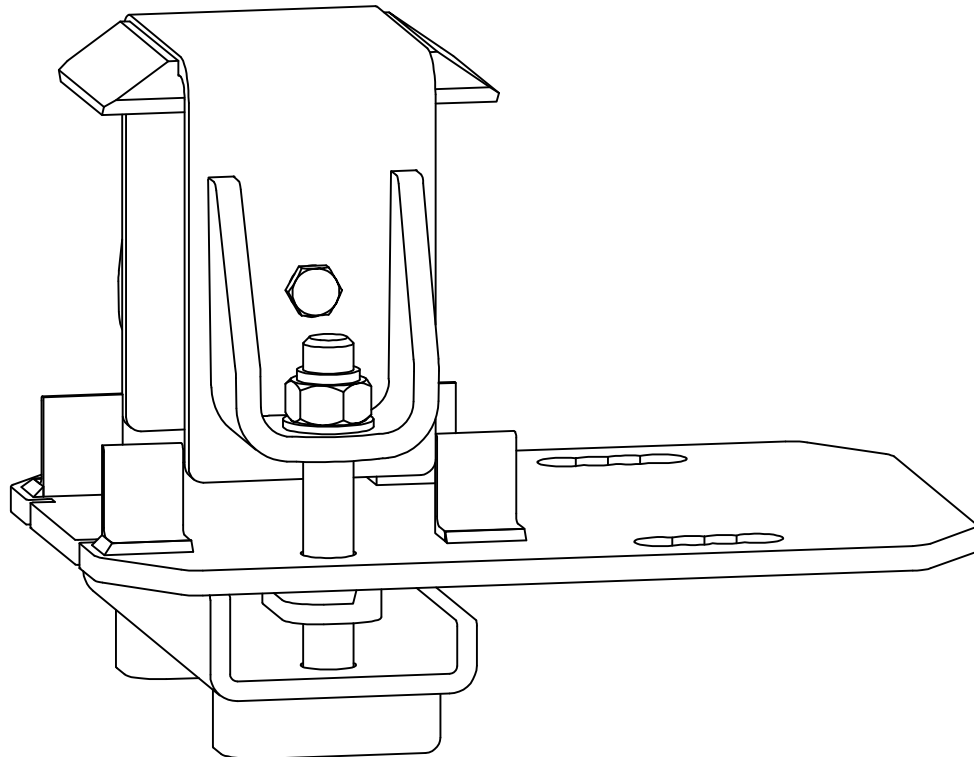
Art.nr 810850

Clamping Attachment for ES12

Optional Double Clamp

Fits E12 / ES12 bolster

Weight 16,9 kg / 37 lb



810850 2013-03-04

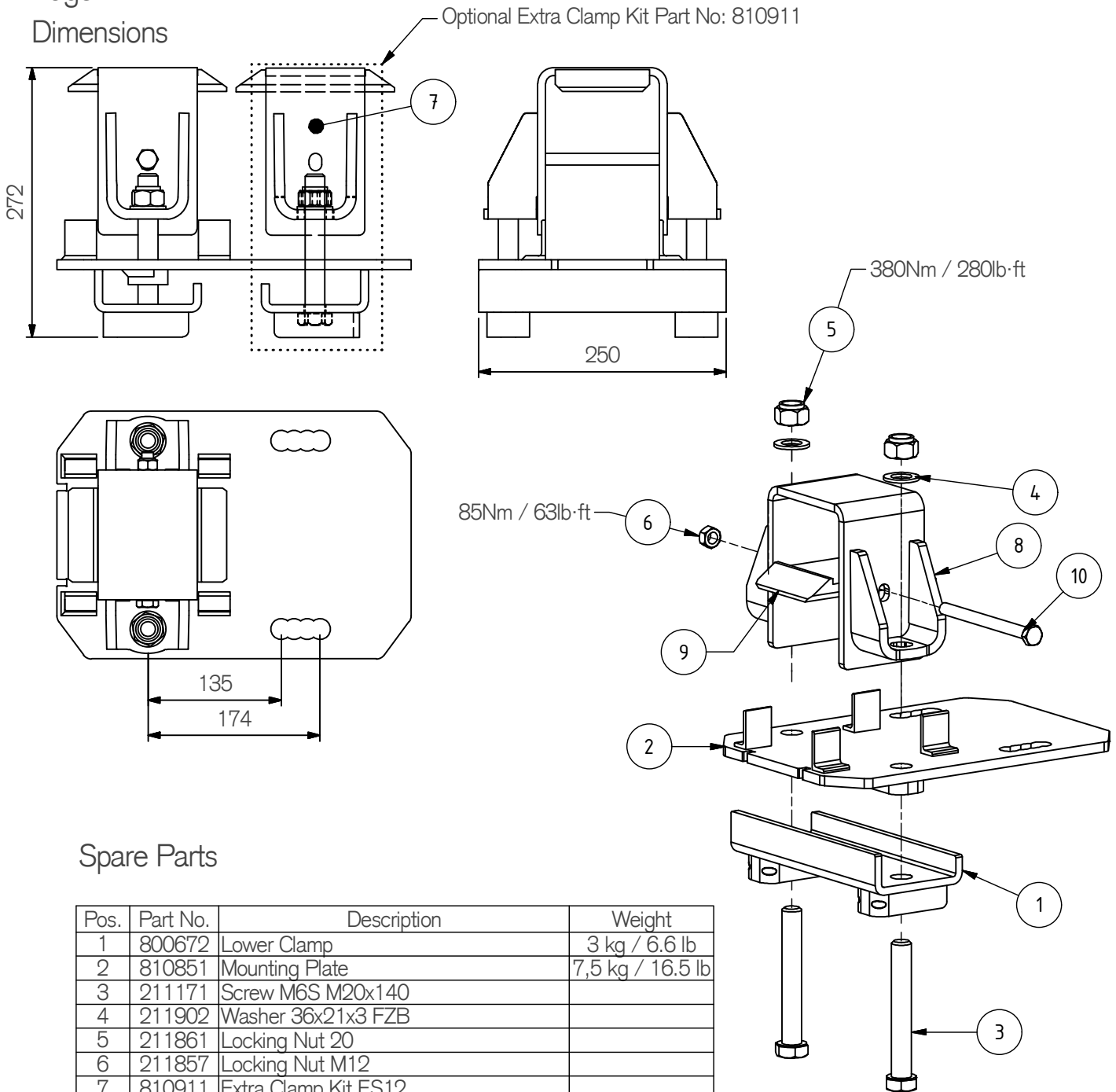
ExTe

Securing cargo. We invented the concept.

Clamping Attachment

Page 2

Dimensions



Spare Parts

Pos.	Part No.	Description	Weight
1	800672	Lower Clamp	3 kg / 6.6 lb
2	810851	Mounting Plate	7,5 kg / 16.5 lb
3	211171	Screw M6S M20x140	
4	211902	Washer 36x21x3 FZB	
5	211861	Locking Nut 20	
6	211857	Locking Nut M12	
7	810911	Extra Clamp Kit ES12	
8	811262	Upper Clamp ES12	4,346 kg
9	803088	Distance Upper Clamp	0,46 kg
10	211096	Screw M6S 12x150 FZB	0,019 kg

ExTe

Securing cargo. We invented the concept.

ExTe Fabriks AB, SE-820 41 Färila Sweden. Tel: +46 (0)651 175 00. Fax: +46 (0)651 175 03. E-mail: info@exte.se www.exte.se