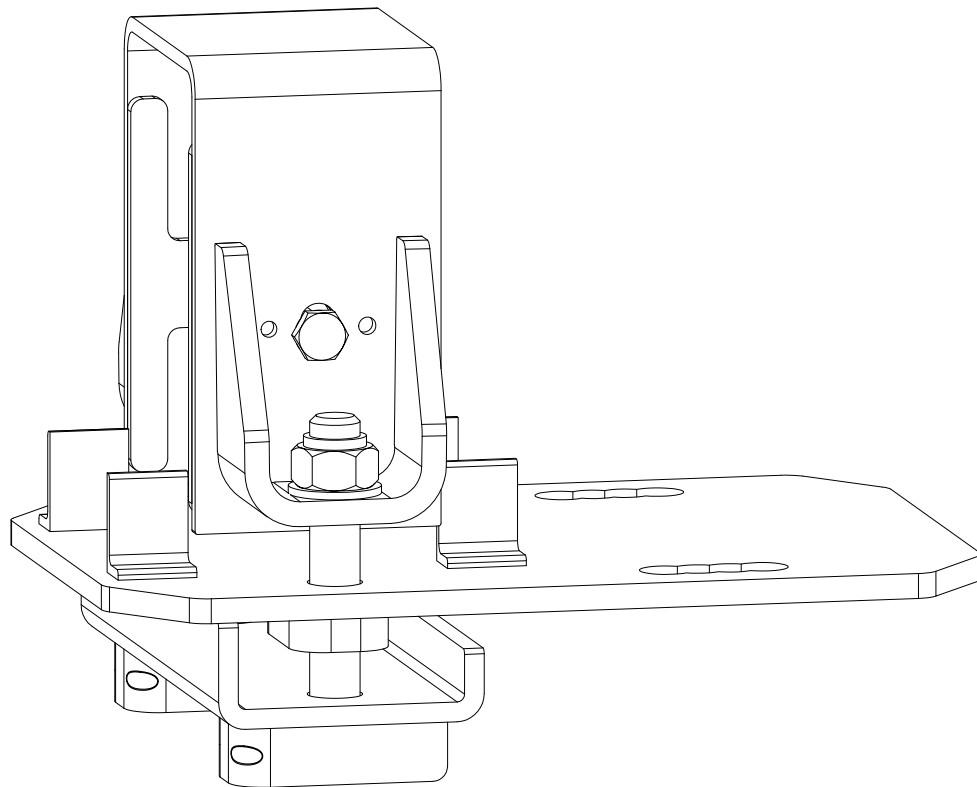


S - Series

Clamping Attachment 8.6/9.6

Art.nr 800795

Clamping Attachment for S12
Optional Double Clamp
Fits S12 bolster width 8.6 and 9.6



800795 2015-05-03

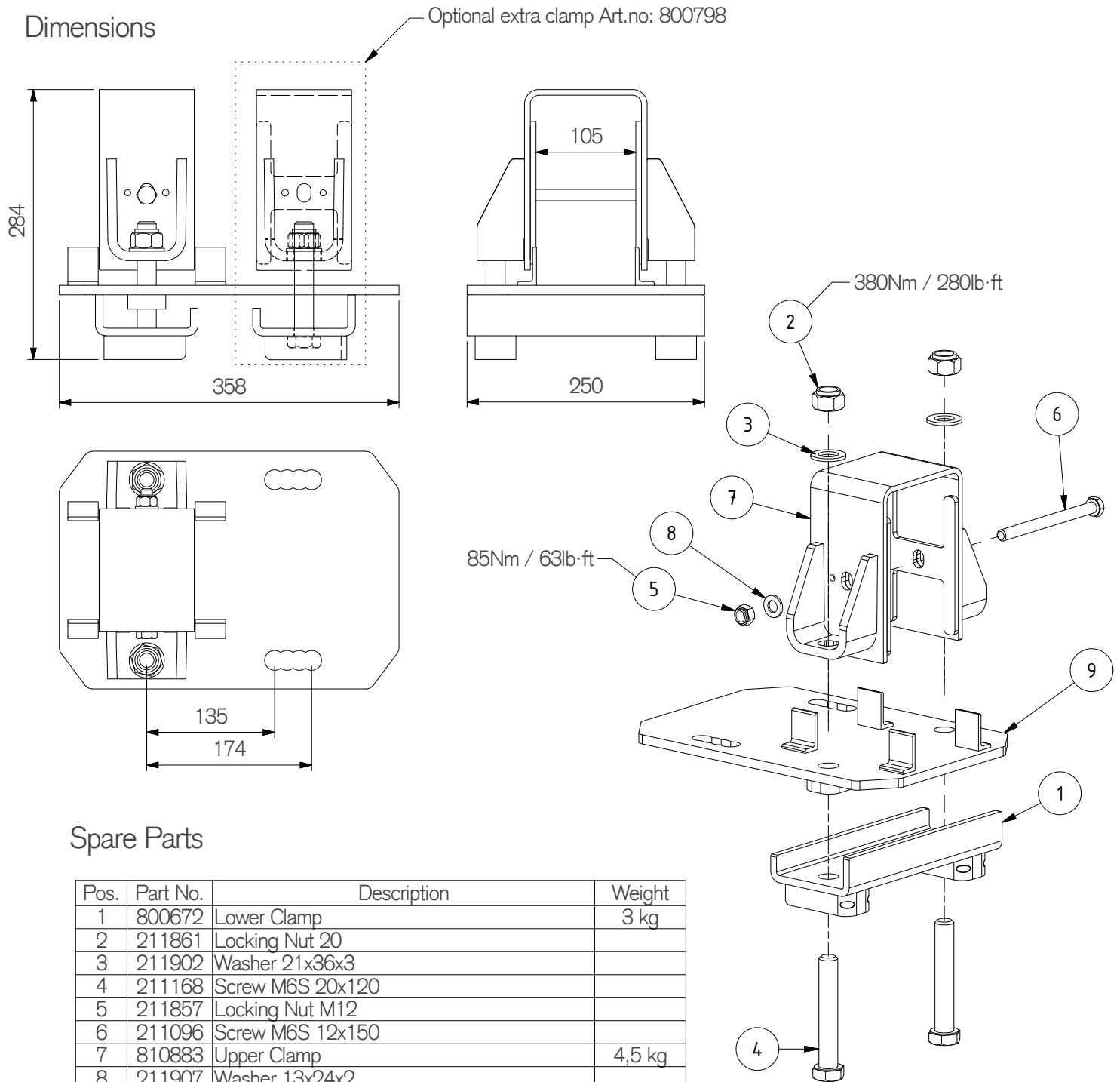
ExTe

Securing cargo. We invented the concept.

Clamping Attachment 8.6/9.6

Page 2

Dimensions



Spare Parts

Pos.	Part No.	Description	Weight
1	800672	Lower Clamp	3 kg
2	211861	Locking Nut 20	
3	211902	Washer 21x36x3	
4	211168	Screw M6S 20x120	
5	211857	Locking Nut M12	
6	211096	Screw M6S 12x150	
7	810883	Upper Clamp	4,5 kg
8	211907	Washer 13x24x2	
9	810884	Mounting Plate	7,5 kg
10	800798	Extra Clamp 8.6/9.6. Pos 1, 2, 3, 4, and 7	

ExTe

Securing cargo. We invented the concept.

ExTe Fabriks AB, SE-820 41 Färila Sweden. Tel: +46 (0)651 175 00. Fax: +46 (0)651 175 03. E-mail: info@exte.se www.exte.se