

Item Number	Part Number	Description	Qty
1	D011153	1/4-20UNC x 1" Socket Cap	6
2	D1/4LW8P	1/4 Lock Washer	6
3	see list below	Bushing	1
4	D5/8X11/4C8P	5/8-11UNC x 1 1/4" Hex Cap -Grd8	3
5	D3506907	Top Cap Adaptor	1
6	see list below	Jaw Set	1
7	see list below	Jaw Retaining Ring	2
8	D1/2X21/4C8P	1/2-13UNC x 2 1/4" Hex Cap -Grd8	9
9	DD3506906	Top Cap Holder	1
10	D011383	1/2-13UNC x 5 1/2" Socket Cap	6
11	D1/2X8C8B	1/2-13UNC x 8" Hex Cap -Grd8	3
12	D3506878	Top Spacer	3
13	D2920390	Clamp Bowl *12.5 Degree*	1
	D3506872	Clamp Bowl *7 Degree*	
14	D5200517	Spring	18
15	D5020126	Housing Bushing	2
16	B3T-1130	1/4" - 28 Grease Fitting	1
17	D2920455	Housing, P Clamp	1
18	D5040192	Oil Seal	9
19	D3506880	Bowl Spacer-Bottom	9
20	D18100191	O Ring	1
21		1/4" Dust Plug for Shipping	1
22	D2920332 D2020332C	Cylinder Cylinder **Hard Chrome Plated**	1
23	D5035018	Wear Ring	1
24	D5035016P	U Cup Seal **Original Boyles**	1
25	D011377	1/2-13UNC x 4" Socket Cap	9
26	D5035015P	U Cup Seal **Original Boyles**	1
27	D5035017	Wear Ring	1
28	D2920332 D2920332C	Piston - "H" Clamp Piston **Hard Chrome Plated**	1
29	D18100200	O Ring	1
30	D18100192	O Ring	1

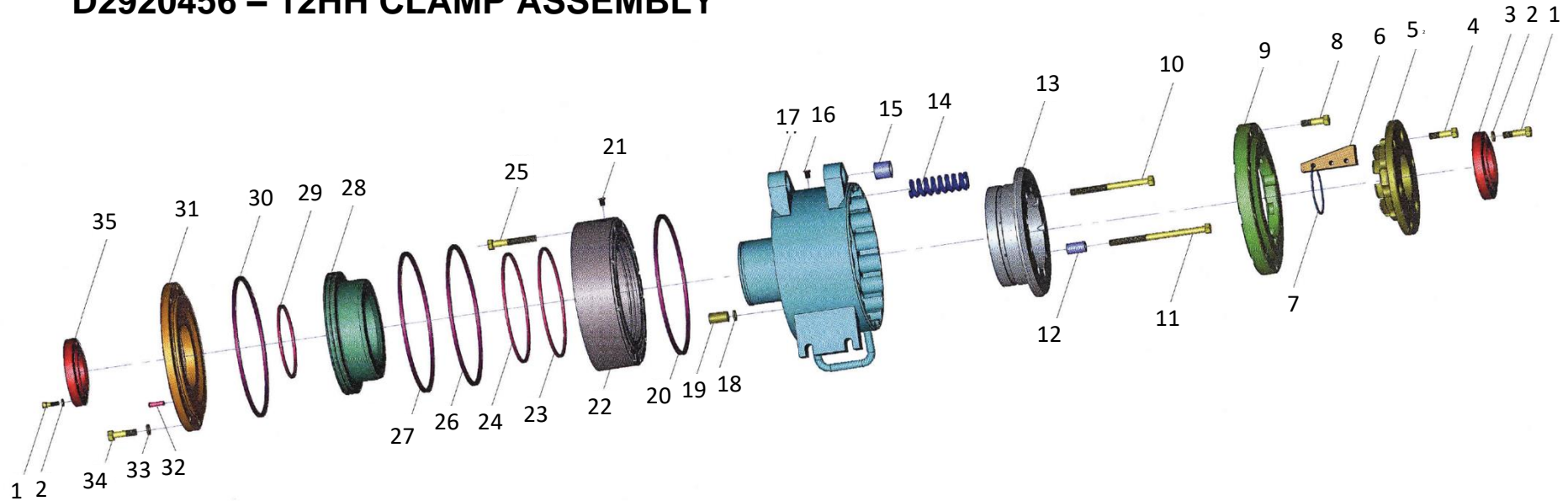
31	D2920333	Bottom Cap	1
32	D7500346	1/8" NPT Breather Plug	1
33	D1/2LW8P	1/2"Lock Washer	9
34	D1/2X2C8P	1/2-13UNC x 2" Hex Cap -Grade 8	9
35	see list below	Bushing	1
**	D18120024	"H" & "P" Clamp Repair Seal Kit includes items 18,20,23,24,26,27,29&30	1
***	D12HHBolt Kit	Complete Clamp	
		JAW SETS	
6	D2920392	Jaw Set, B Rod 3 holes 12.5 Degree	1
	D3506954	Jaw Ser, B Rod 2 holes 7 Degree	
		Jaw Set, B Casing Jaw Set, N Rod	1
6	D2920394	Jaw Set, N Rod 3 holes, 12.5 Degree	1
	D3506857	Jaw Set, N Rod 2 Holes, 7 Degree	
6	D2920396	Jaw Set, H Rod / N Casing 3 holes, 12.5 Degree	1
	D3506859	Jaw Set, H Rod / N Casing 2 Holes, 7 Degree	1
		JAW RETAINING RINGS	
7	D5202450	Jaw Ring - 2 req'd for each size, 12.5 Degree, 3hole Jaws	2
7	D5202422	Jaw Ring - 2 req'd for each size 7 Degree, 2hole Jaws	1
		Bottom Bushings	
	D2920459	JKT/AW/AQ Rod/EW Casing	
	D2920460	BQ Rod/AW Casing	
	D2920454	NQ Rod/ NWL	
	D2920461	NW Rod	
	D2920462	BW Casing	
	D2920462 (Notched)	HQ Rod/HWT Casing	

		Top Cap Bushings	
	D2920402	BQ Split, Hardened Steel	
	D2920404	NQ Split, Hardened Steel	
	D2920473	HQ Split, Hardened Steel	

PROLENC[®]

MANUFACTURING INC.

D2920456 – 12HH CLAMP ASSEMBLY



10 (not shown)